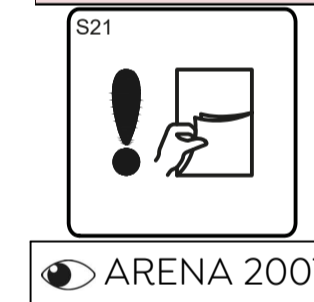


Code	Name	Quantity
SAG2BB	Standard Goal Section with Reverse Facing Practice Hoop & Backboard	1
SAMBR	Basketball Backboard c/w Hoop	1
TOTAL		2



REVISION

39349	ORIGINAL	A
08/09/07	AMENDMENT BY JF CHK BY NB	B
04/06/10	Border amended for international use.	
MASW107037	DOCID UPDATED	0
20/02/24		

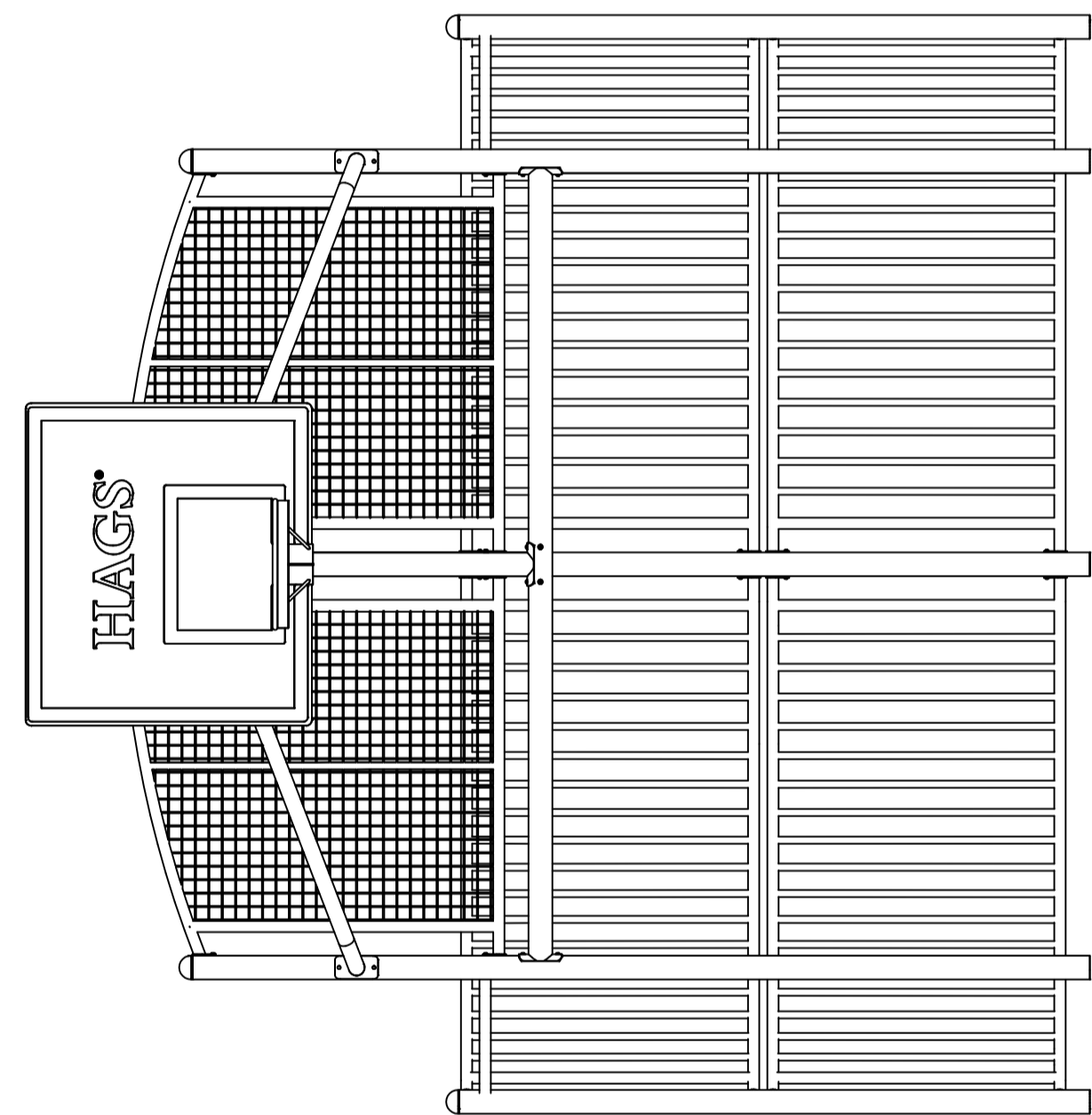
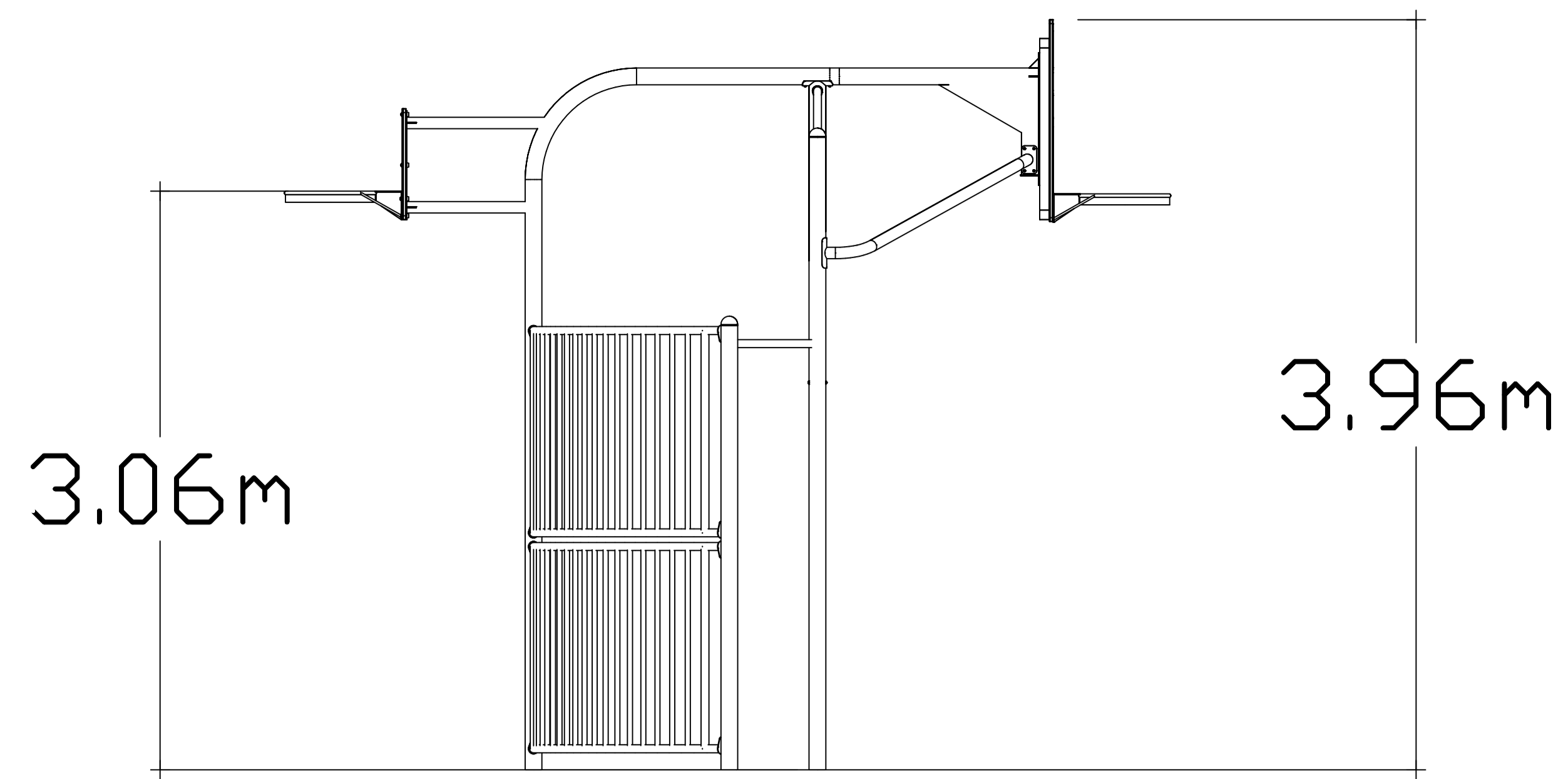
TITLE
SA-DP
ARENA DOUBLE PHILADELPHIA

HAGS®

T: +46 380 473 00 E: hags@hags.com W: www.hags.com

DATE: 20/02/2024
 DRAWN BY: JW CHECKED BY: CCW

DRAWING NUMBER: MASW107037 REVISION 0



TITLE
SA-DP
ARENA DOUBLE PHILADELPHIA

HAGS®

T: +46 380 473 00 E: hags@hags.com W: www.hags.com

DATE: 20/02/2024
 DRAWN BY: JW CHECKED BY: CCW

DRAWING NUMBER: MASW107037 REVISION 0

© HAGS 2024 SHEET 2 OF 2