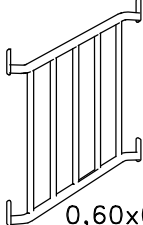
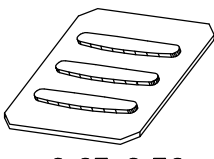
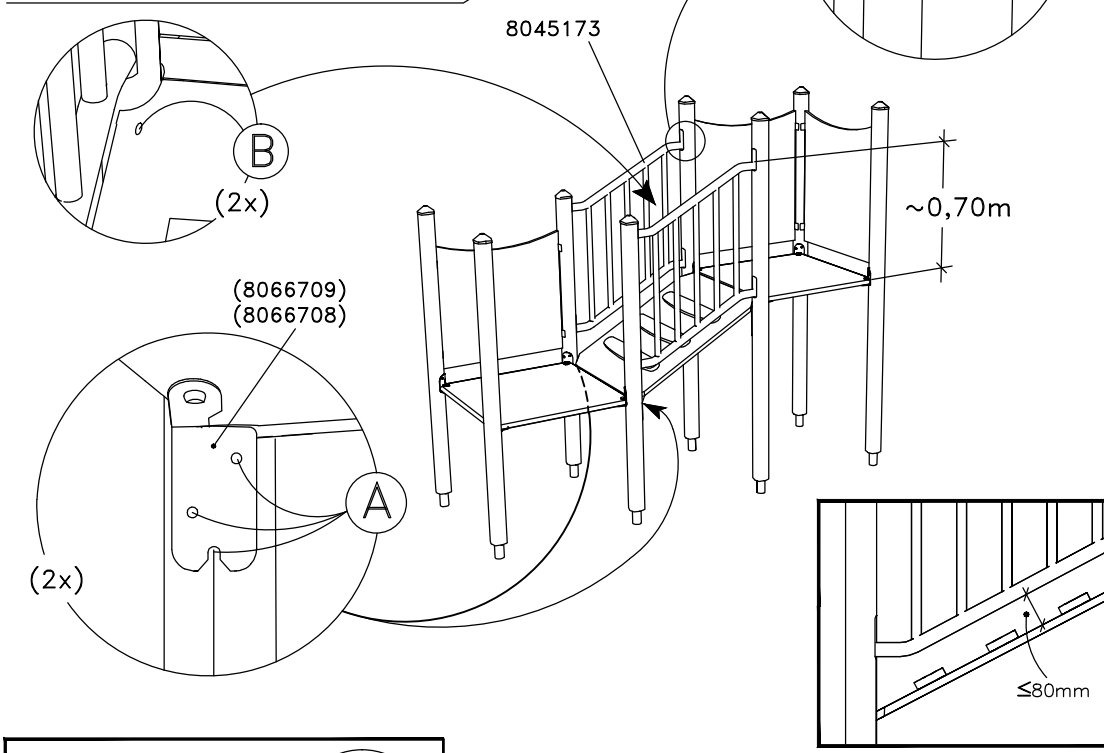
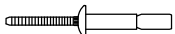

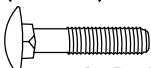
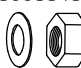
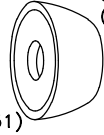

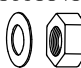




TYPE	HAGS.NO
 0,60x0,66m	8045173 (2x)
 0,67x0,76m	8066227



A	 MGLP-R8-E (8008902)	 Ø 6,8
B	 MVBF 6x30 (8039271)	 SRB 7x14 (8008848)
	 CAP 6 (8005951)	 COVER 6 (8005952)
	 M6 (8008794)	

HAGS	ANEBY, SWEDEN +46(0)380-47300 www.hags.com
Bridge ST 6123 13 1(1)	
 SSV  ToB	2017-10-19 2