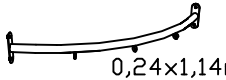
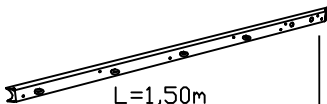
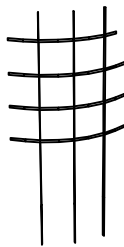
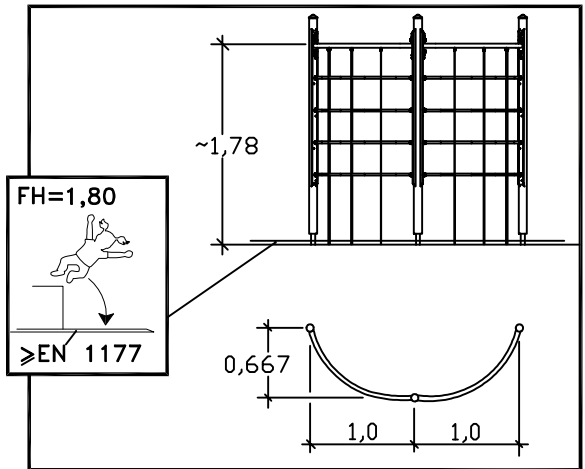
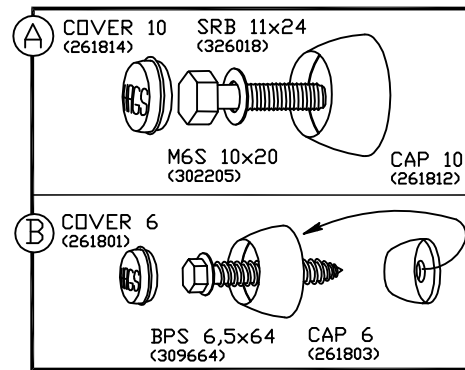
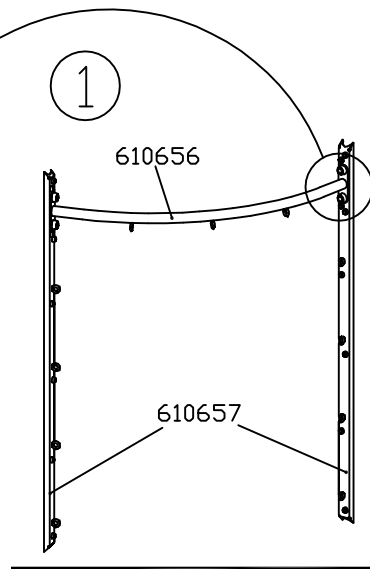
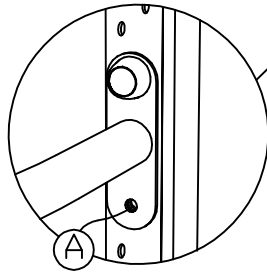
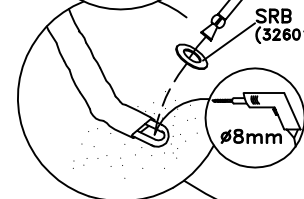
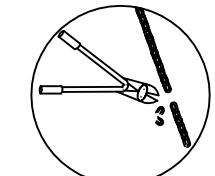
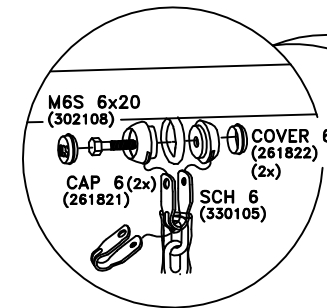
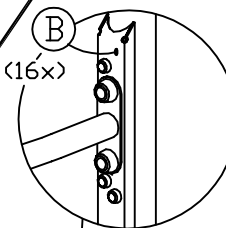


TYPE	HAGS.NO
 0,24x1,14m	610656
 L=1,50m	610657
 1,26x2,15m	610705



2

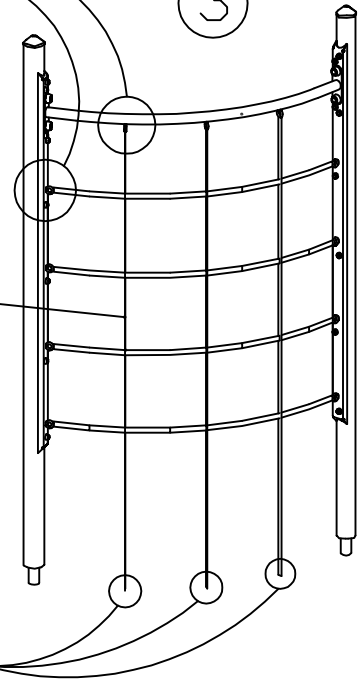


610705

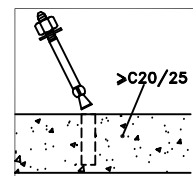
EXP 8x75 (303000)
SRB 11x24 (326018)

∅8mm

3



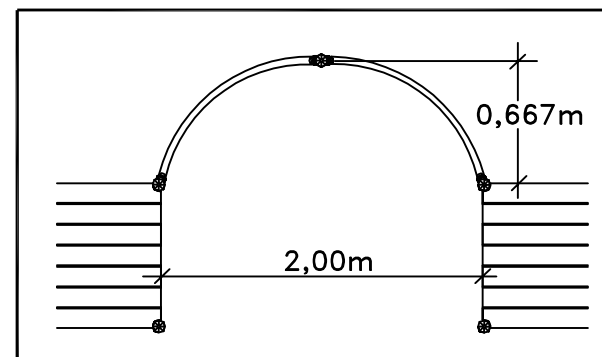
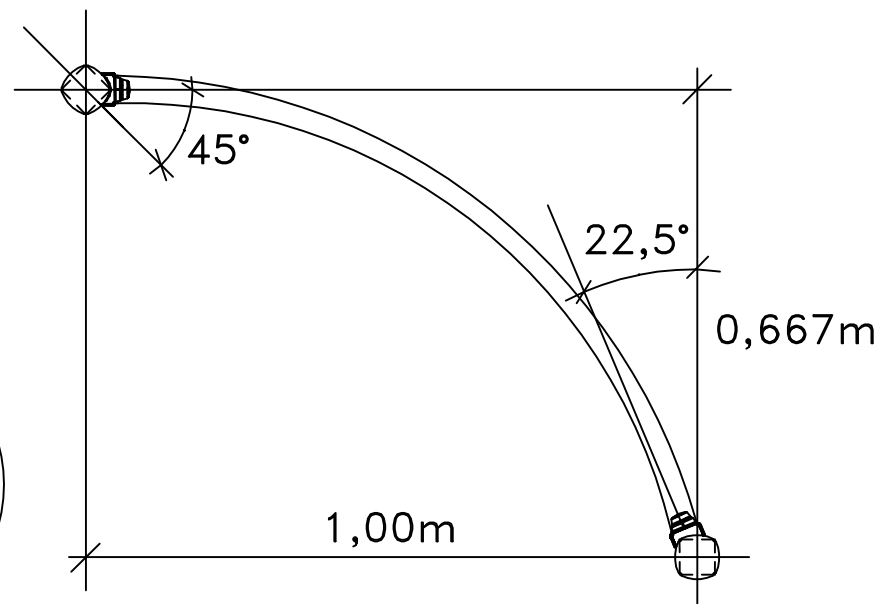
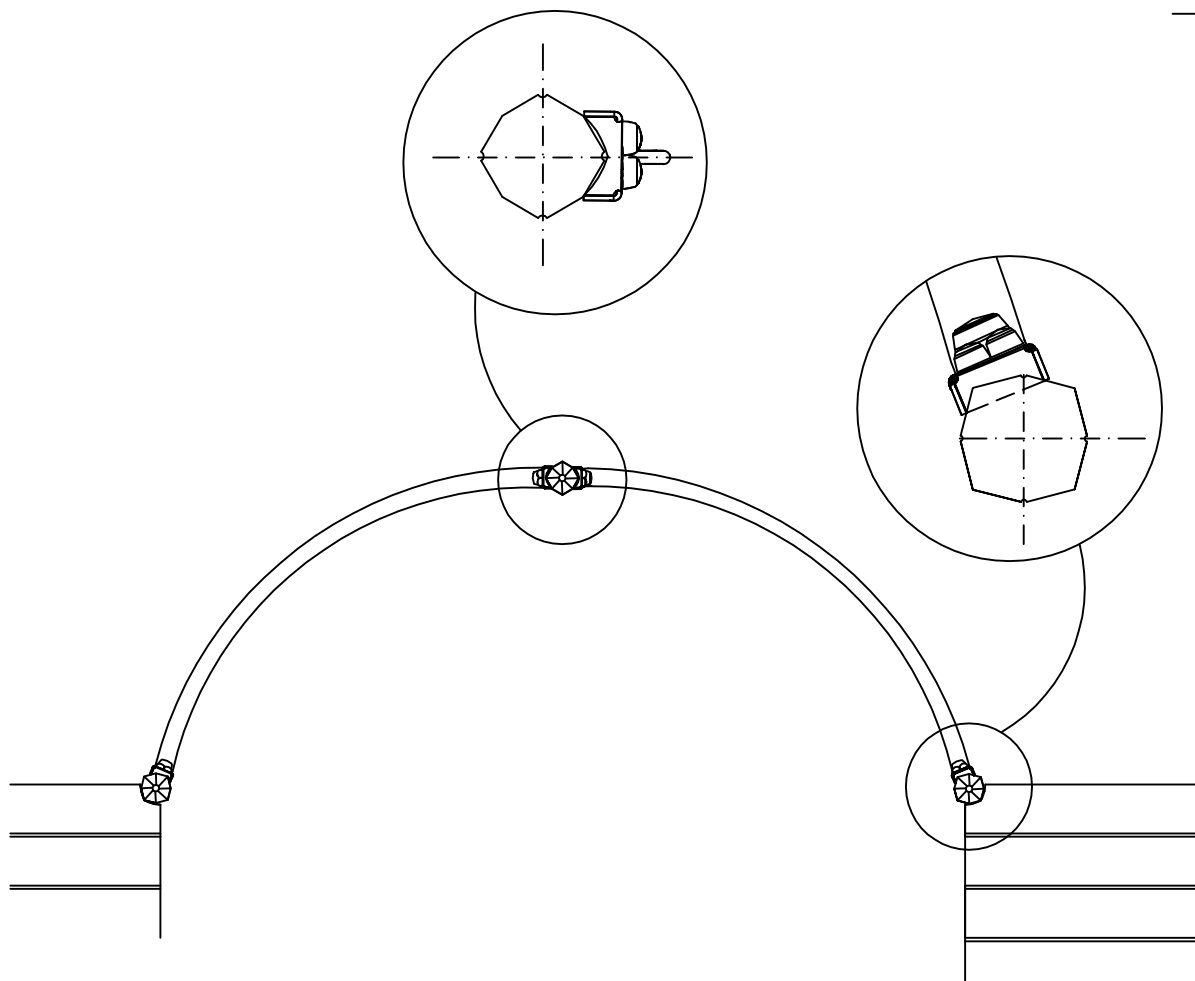
0,39m



HAGS ANEBY, SWEDEN
+46(0)380-47300
www.hags.com

OM 6705
(1)

ACJ JOT 2005-08-15 3



HAGS		ANEBY, SWEDEN	
		+46(0)380-47300	
		www.hags.com	
OM 6705			
(II)			
	DCA		ACJ
2005-08-15		1	