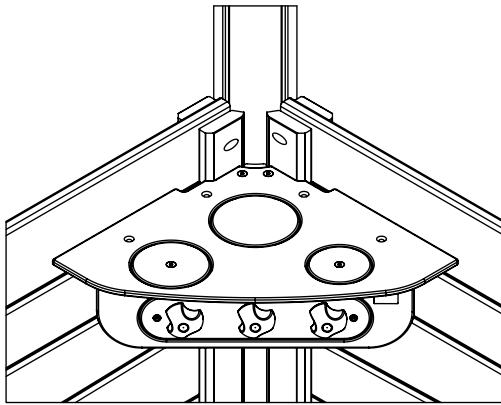
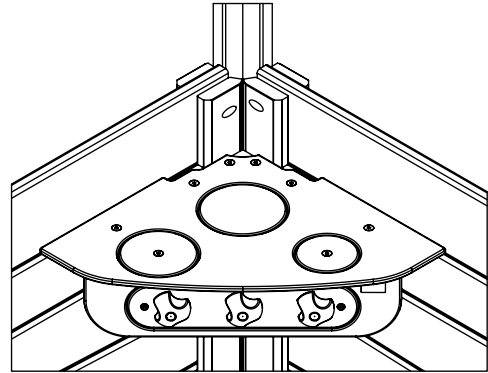


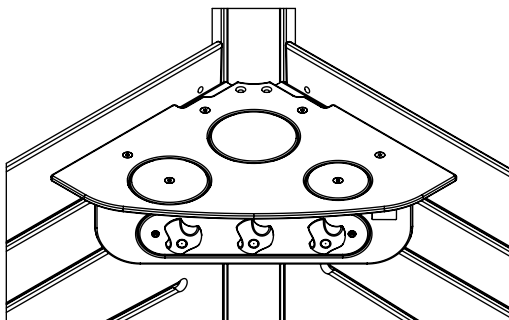
Wood Uniplay



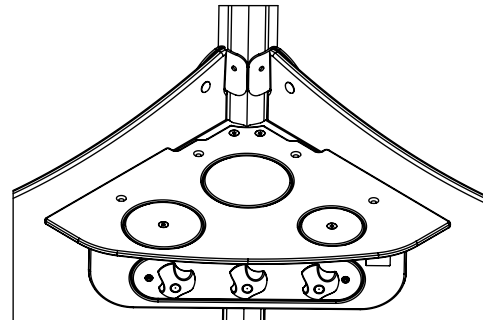
Wood Unimini



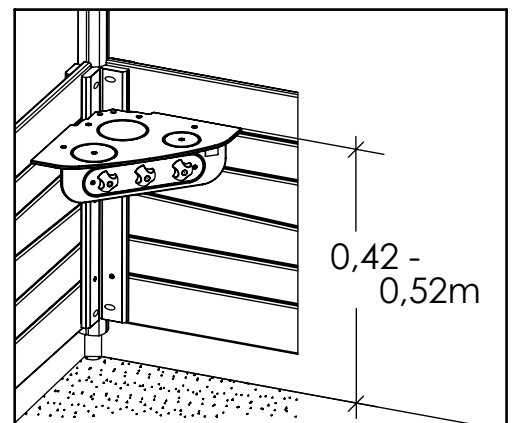
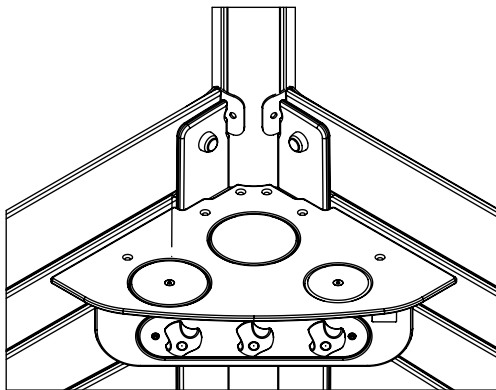
Flat HPL Uniplay



Flat HPL Unimini



HPL Uniplay



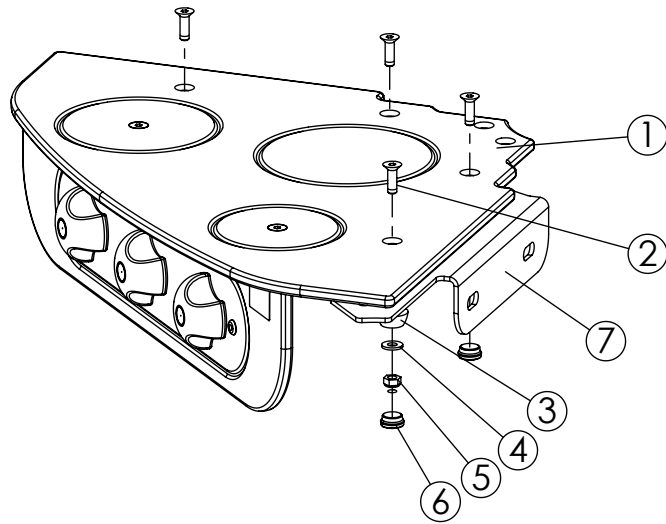
HAGS

ANEBY, SWEDEN
+46(0)380-
47300
www.hags.com

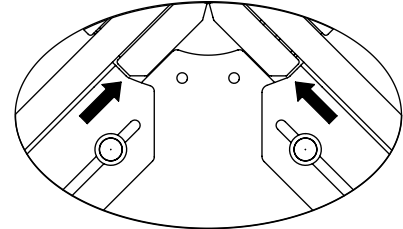
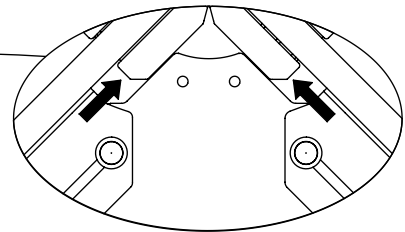
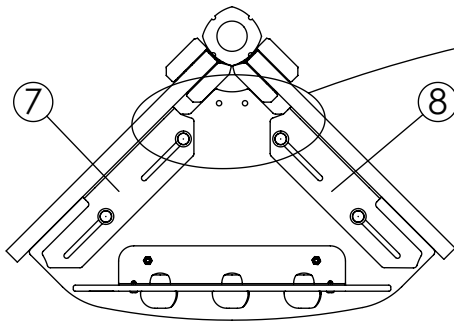
Corner cooker
MASW44481

1 (4)

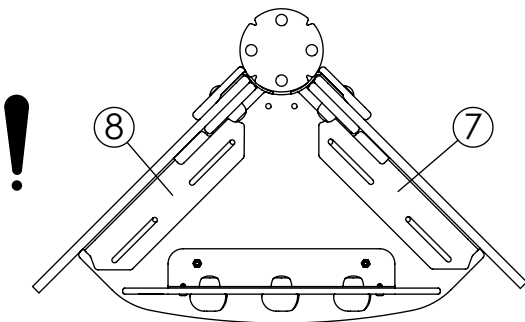
1



1,1 Wood and flat HPL barriers



1,2 HPL barrier



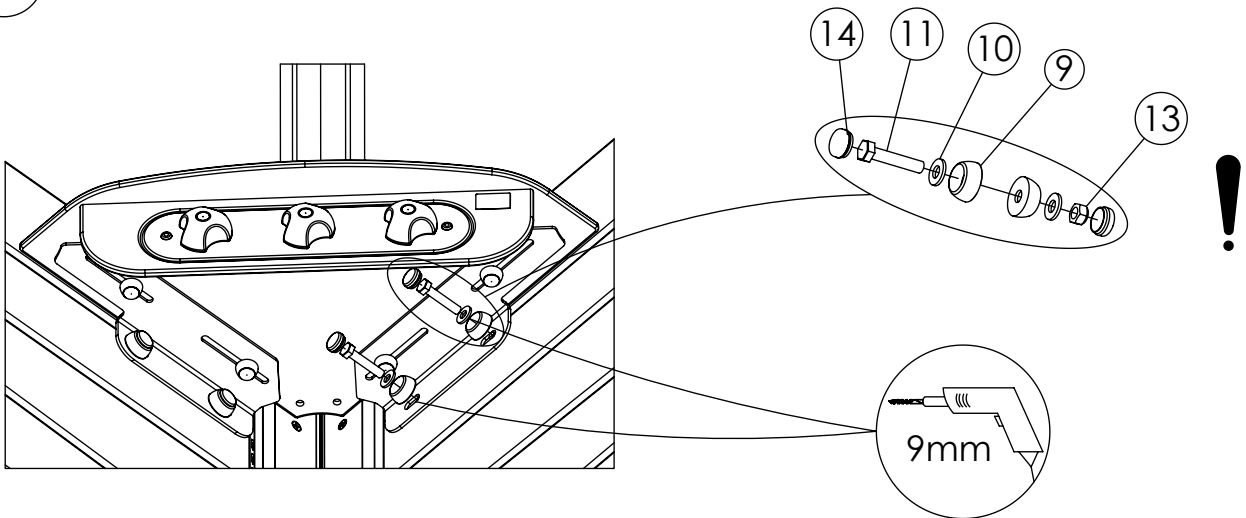
NR.	Description MA	Item Number	Qty
1	Stovetop	8055566	1
2	MF6S M6x20	8008614	4
3	Cap 6 Ø6,5x21 mm	8005951	4
4	Washer 6,4x14x1,5	8008848	4
5	Lock Nut M6	8008794	4
6	Cover M6, Ø15x10mm	8005951	4
7	Mount, right	8055316	1
8	Mount, left	8055324	1

HAGS ANEBY, SWEDEN
+46(0)380-47300
www.hags.com

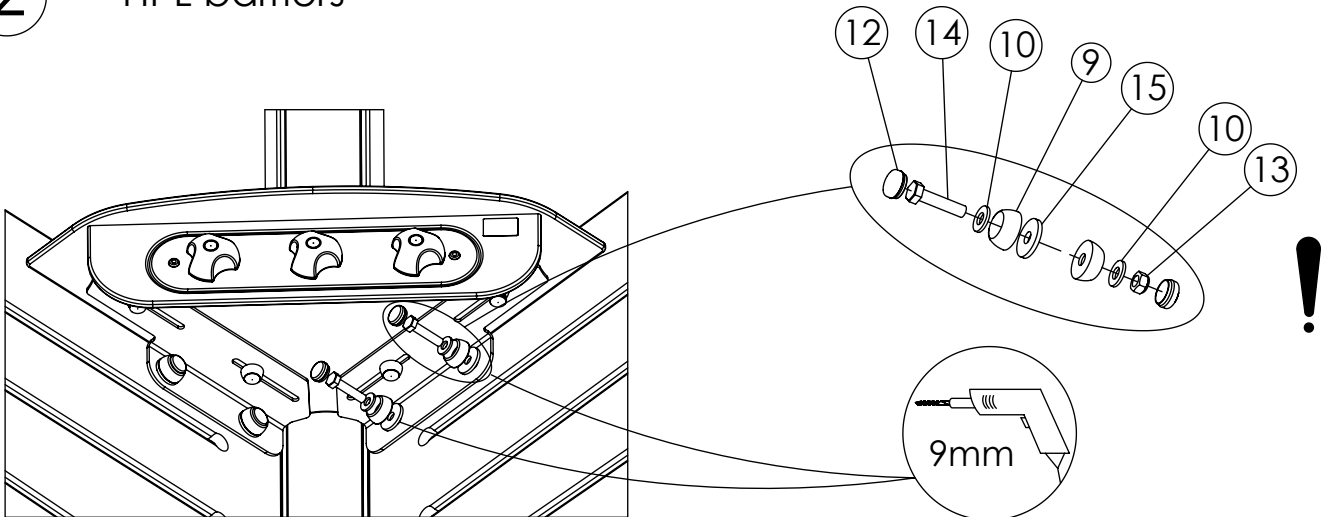
Corner cooker
MASW44481
2 (4)

TeK JOT 2015-10-28 0

2 Wood barriers



2 HPL barriers



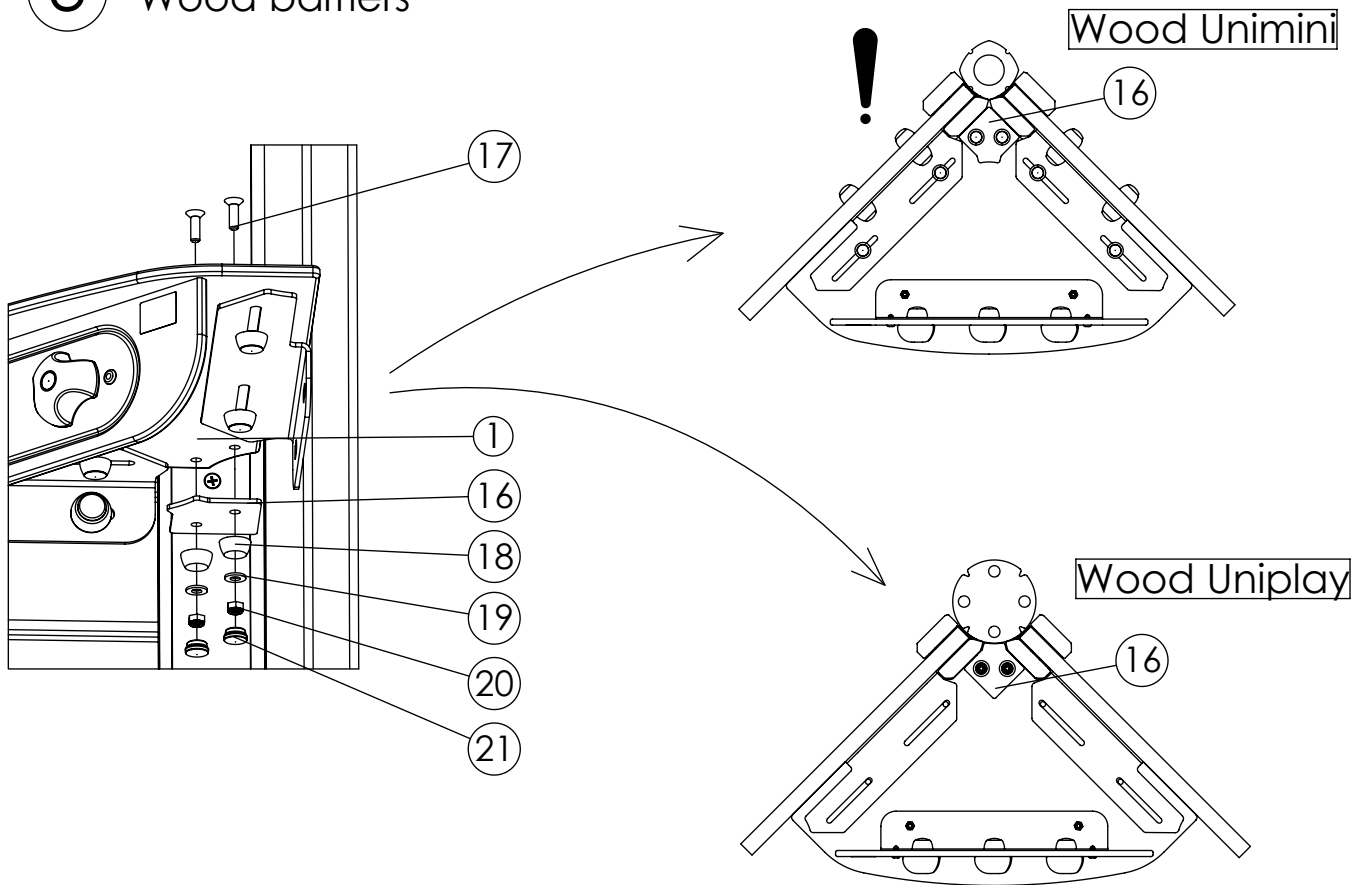
NR.	Description MA	Item Number	Qty
9	Cover cap 8, plan, with rail tracks	261806	8
10	Washer 9x18x2 mm	8008849	8
11	M6S M8x40 mm	8008349	4
12	Cover 8, Ø18x10mm	8005958	8
13	M6M A2 M8	8008795	4
14	M6S M8x35 mm	8008348	4
15	Spacer	261802	4

HAGS ANEBY, SWEDEN
+46(0)380-47300
www.hags.com

**Corner cooker
MASW44481
3 (4)**

TeK JOT 2015-10-28 0

3 Wood barriers



NR.	Description MA	Item Number	Qty
1	Stovetop	8055566	1
16	Cover plate	8055326	1
17	MF6S M6x20	8008614	6
18	Cap 6 Ø6,5x21 mm	8005951 (261800)	6
19	FZB Ø6,4x14x1,5 mm	326016	2
20	M6M A2 M6 mm	324101	2
21	Cover M6, Ø15x10mm	8005952 (261801)	2
18	Ø6,4x14x1,5 mm	326016	4
19	Lock Nut M6	324101	4

HAGS ANEBY, SWEDEN
+46(0)380-47300
www.hags.com

Corner cooker
MASW44481
4 (4)