
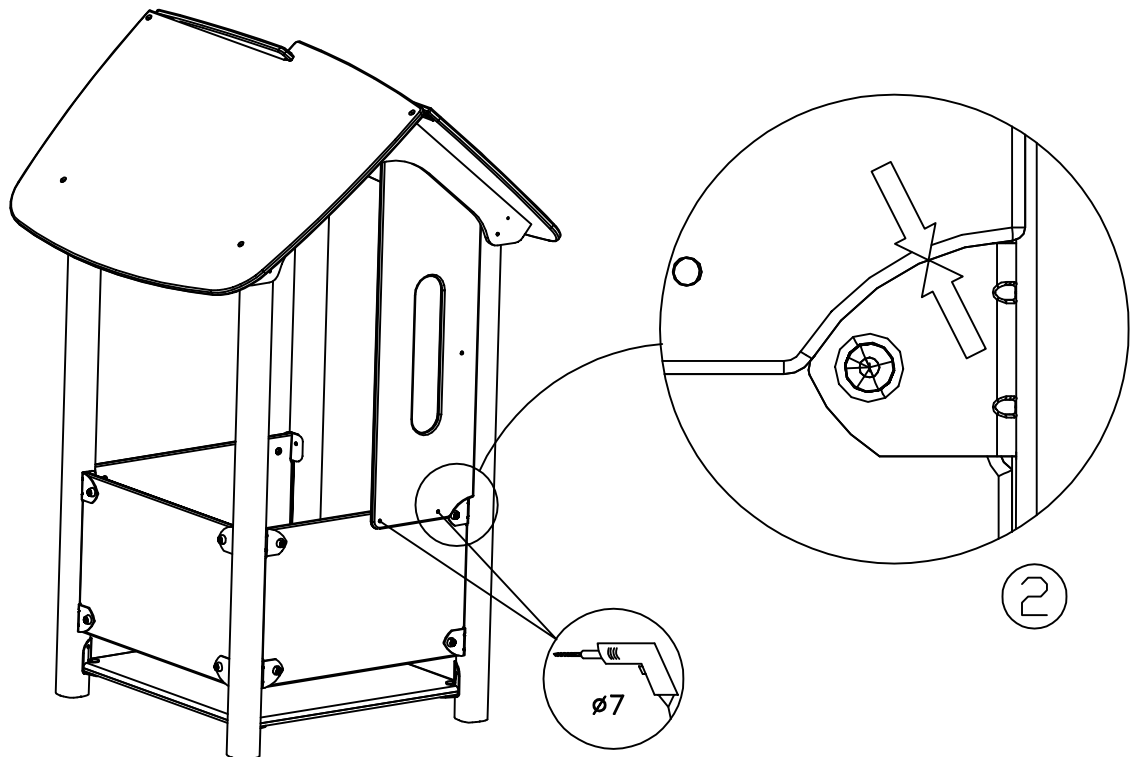
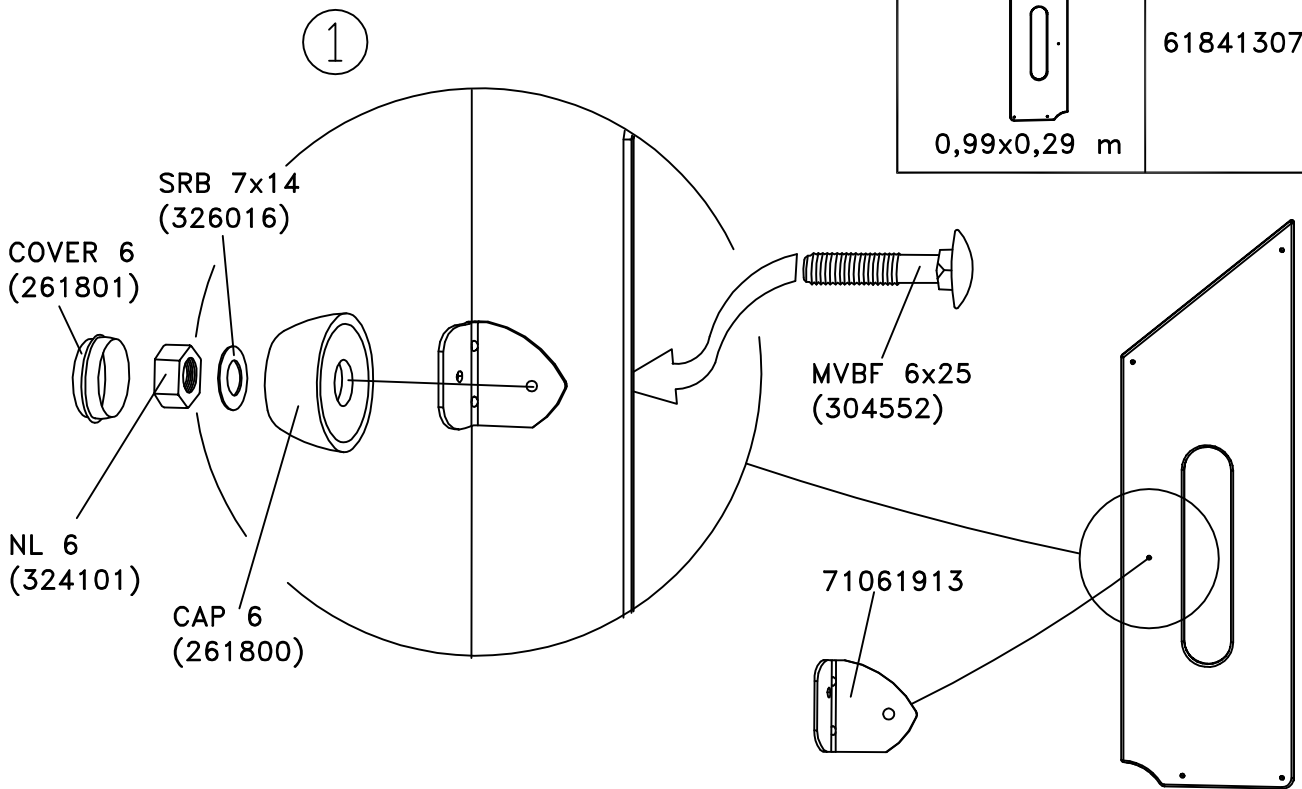




TYPE	ART.NO
	61841307
0,99x0,29 m	



3

<b>HAGS</b>		ANEBY, SWEDEN	
		+46(0)380-47300	
		www.hags.com	
Screen			
ST 6413 07			
1(3)			
	AL		NN 2010-12-01 0

4

MVBF 6x35(2x)  
(304554)

CAP 6  
(261800)

NL 6  
(324101)

SRB 7x14  
(326016)

COVER 6  
(261801)

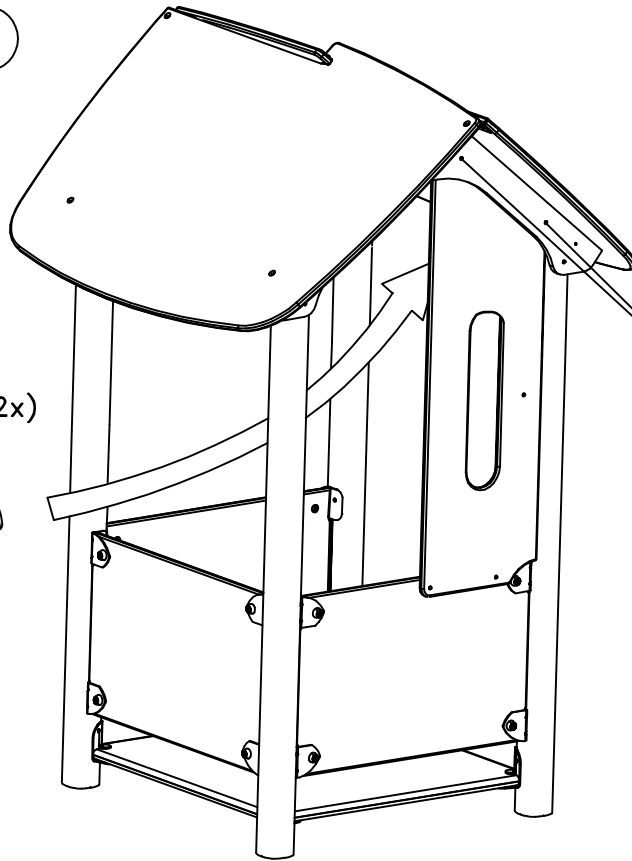
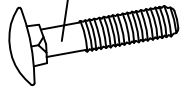
5

ø7

<b>HAGS</b>		ANEBY, SWEDEN	
		+46(0)380-47300	
		www.hags.com	
Screen			
ST 6413 07			
2(3)			
	AL		NN 2010-12-01 0

6

MVBF 6x35(2x)  
(304554)

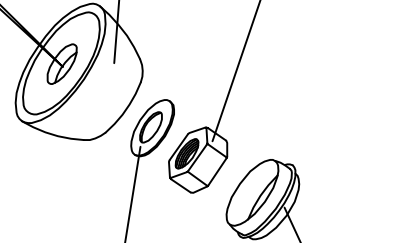


CAP 6  
(261800)

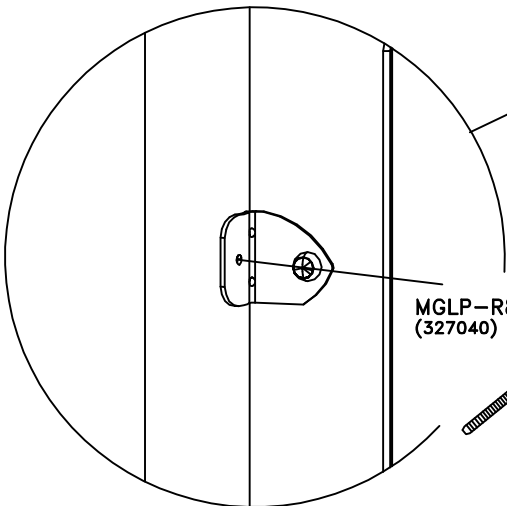
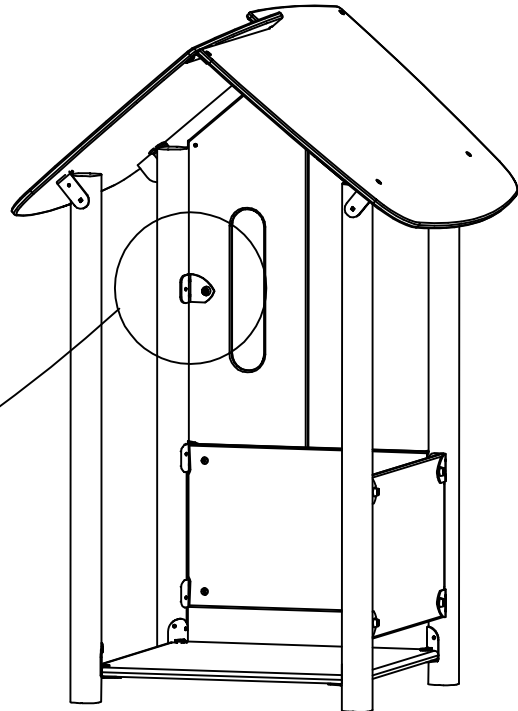
NL 6  
(324101)

SRB 7x14  
(326016)

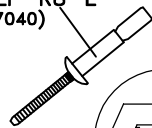
COVER 6  
(261801)



7



MGLP-R8-E  
(327040)



<b>HAGS</b>		ANEBY, SWEDEN	
		+46(0)380-47300	
		www.hags.com	
Screen			
ST 6413 07			
3(3)			
	AL		NN 2010-12-01 0