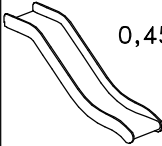
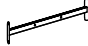
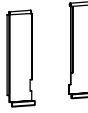


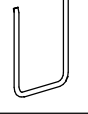
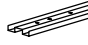
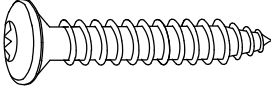


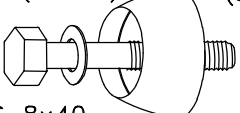


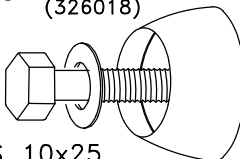

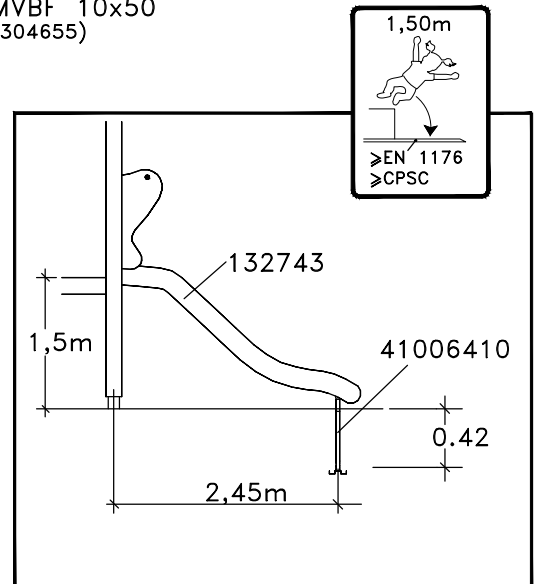


TYPE	HAGS.NO
 0,45x3,2m	132743
 0,89m	410601
 0,2x0,74m	135020-02 135021-02
 0,37x0,71m	135010-01 135011-01 135012-01 135013-01
 Ø25mm L=0,45m	153406
 L=0.64m	41006410
 0,62m	610071-02

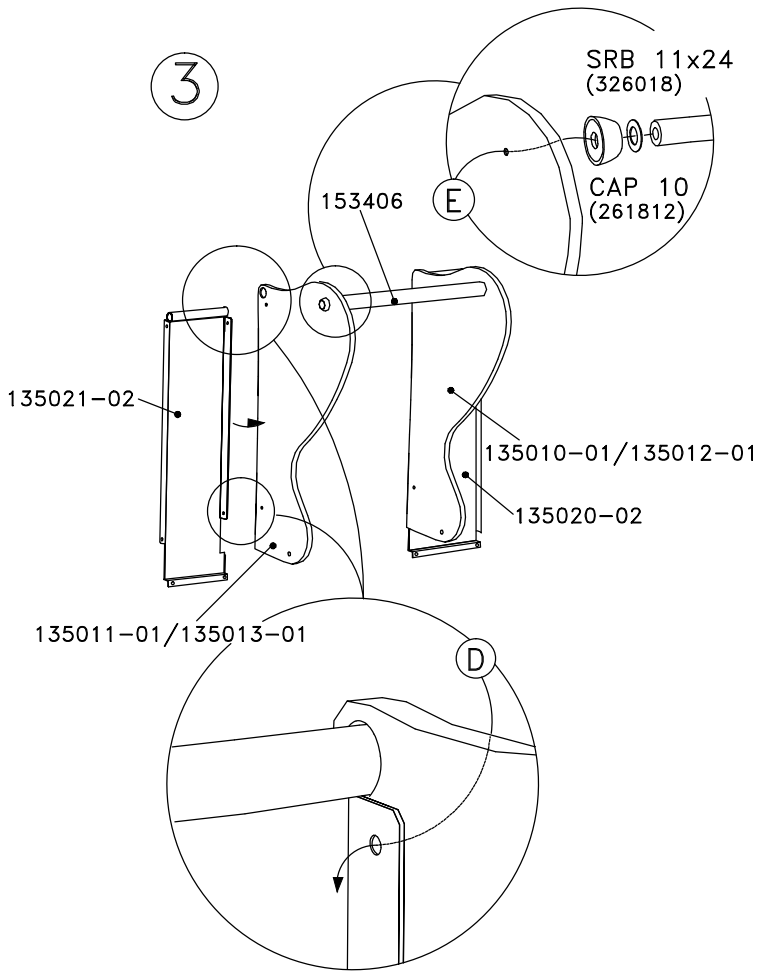
A	TKFT 8x60 (310510)	18/15x4,5 (261817)		
B	COVER 8 (261808)	SRB 9x18 (326017)	SRB 9x18 (326017)	 M6S 8x40 (302161)
				 M6M A2 M8 (324102)
C	COVER 10 (261814)	SRB 11x24 (326018)		 M6S 10x25 (302207)
				 CAP 10 (261812)



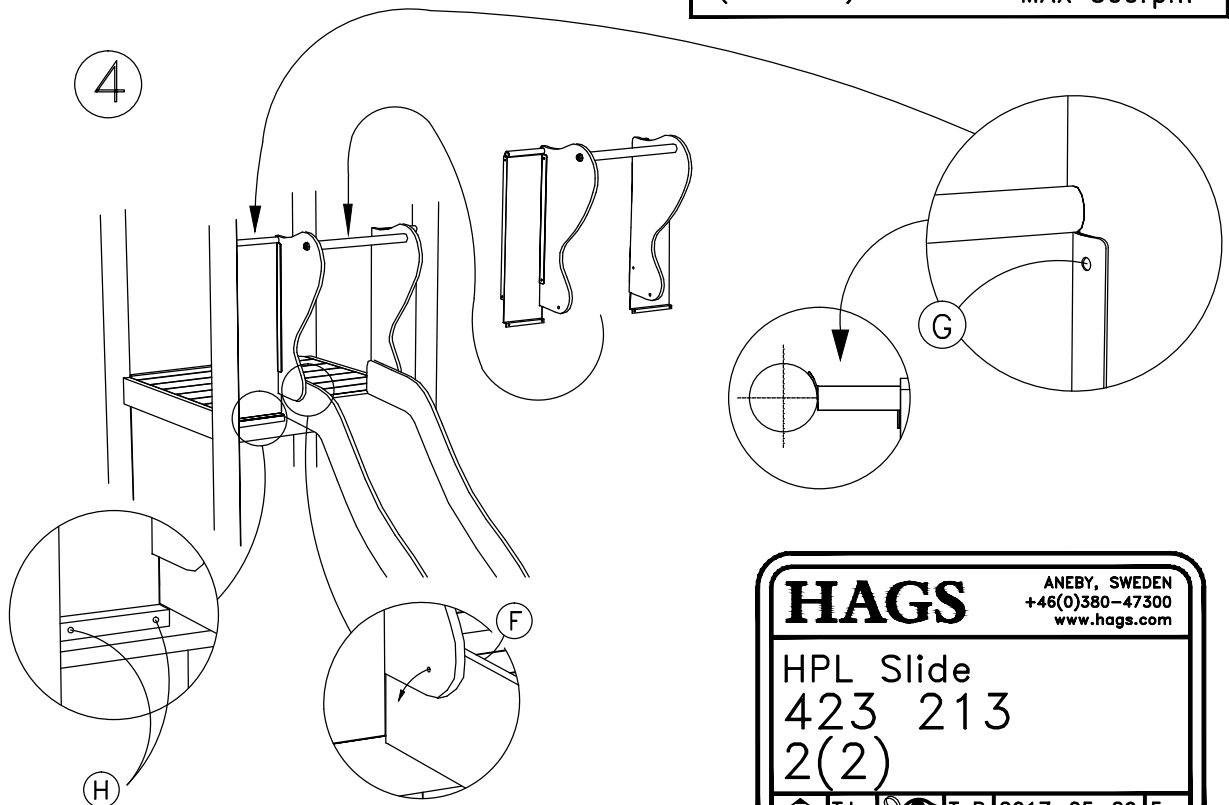
HAGS ANEBY, SWEDEN
+46(0)380-47300
www.hags.com

HPL Slide
423 213
1(2)

TJ ToB 2017-05-29 5



D	MVBF 6x25 (304552)	M6M A2 M6 (324101)	COVER 6 (261801)
E	COVER 8 (261808)	SRB 9x18 (326017)	M6S 8x55 (302164)
F	COVER 8 (261806)	SRB 9x18 (326017)	COVER 8 (261808)
G	TKFT 6x40 (311100)	15/7x3 (261819)	
H	Screw thr-forming M6x25-8.8-(ISO7380) (8027762)	Ø5,5 MAX 500rpm	



HAGS ANEBY, SWEDEN
+46(0)380-47300
www.hags.com

HPL Slide
423 213
2(2)

TJ ToB 2017-05-29 5