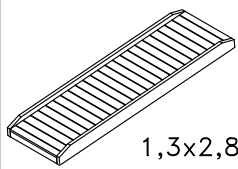
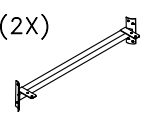
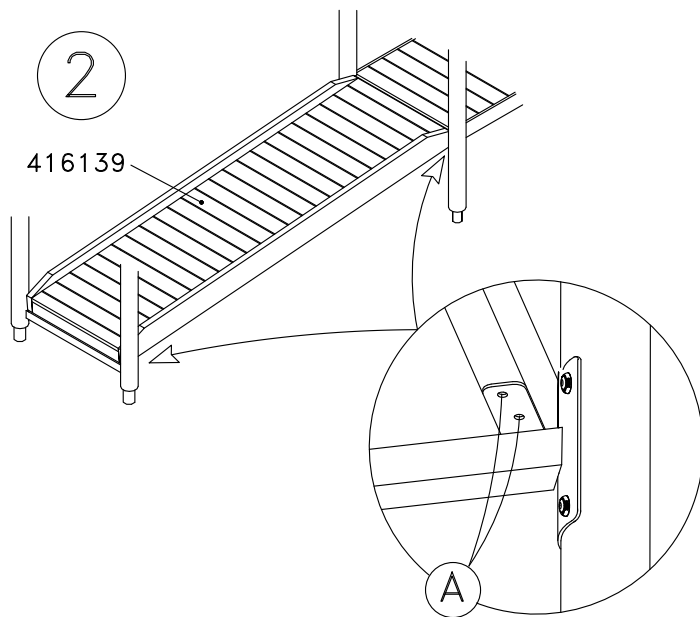
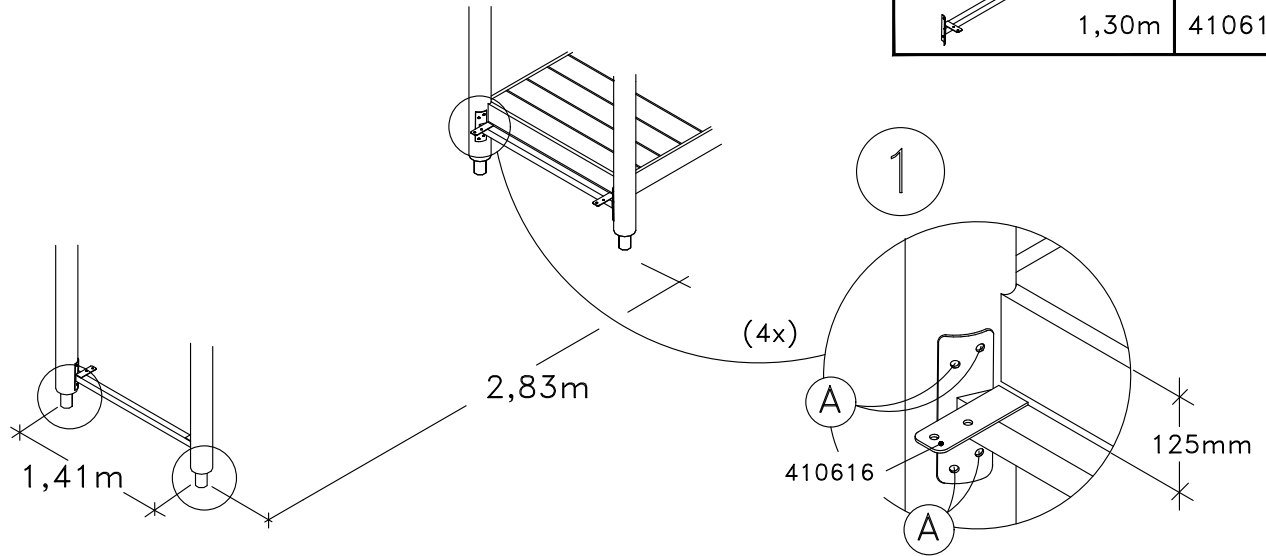
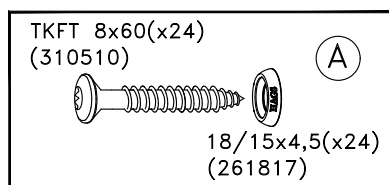
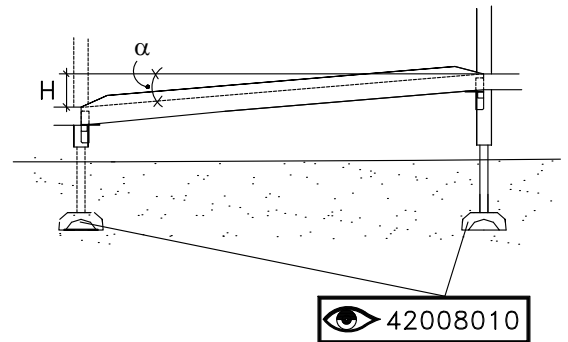


TYPE	HAGS.NO
 1,3x2,8m	416139
(2X)  1,30m	410616





ART.NR	α	H
416139	4,8°	0,23m
	9,6°	0,47m



HAGS ANEBY, SWEDEN
+46(0)380-47300
www.hags.com

Ramp
420 756 10
1(1)

 TJ  MM 2021-06-11 2