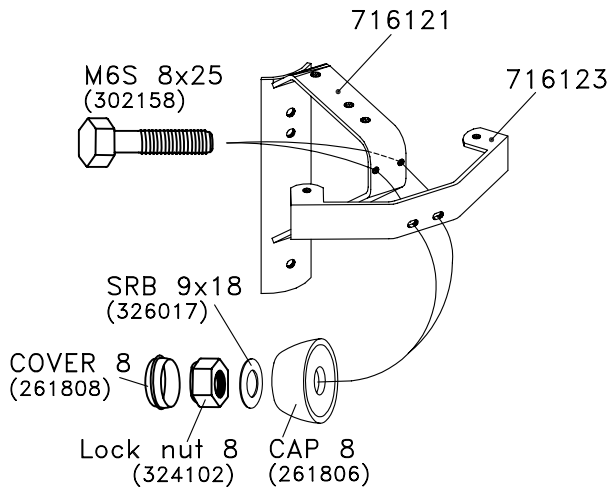
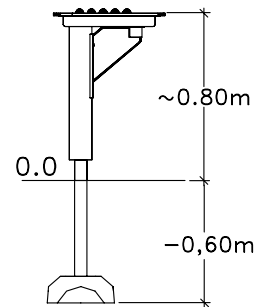
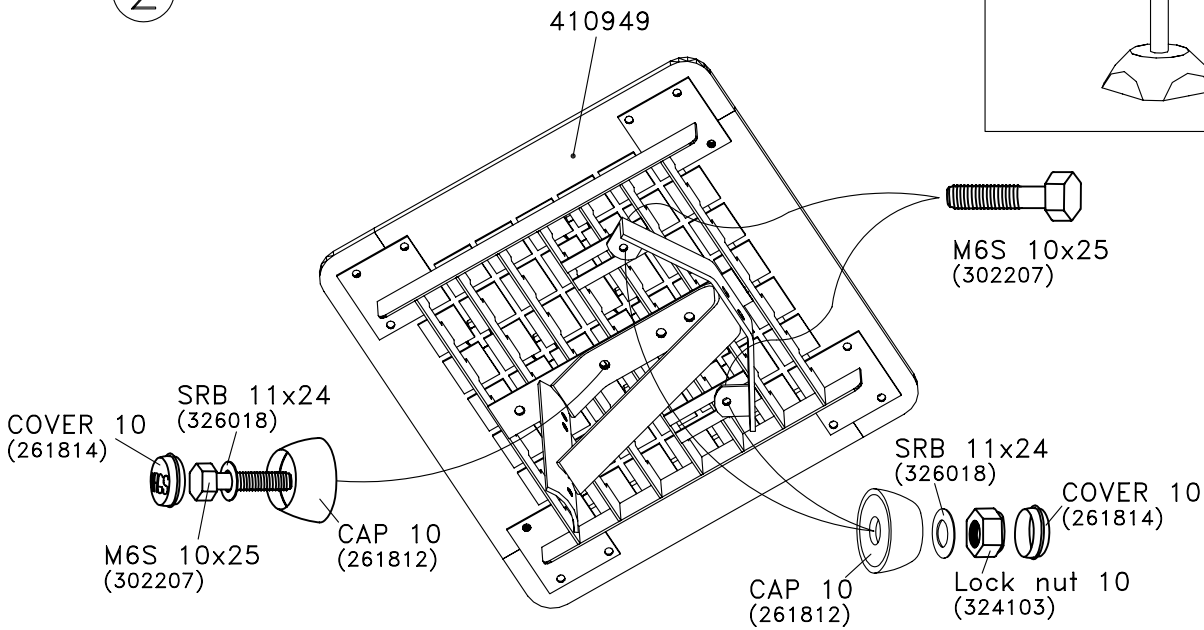


1

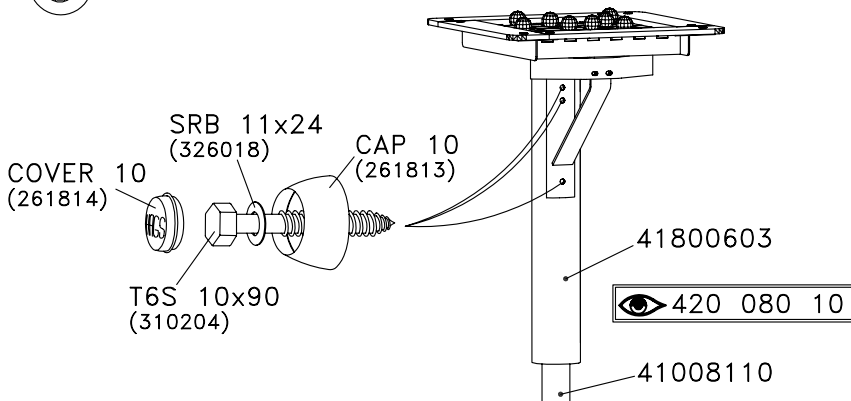


TYPE	HAGS NO.
	410949
	716121
	716123
	41800603
	41008110

2



3



**HAGS** ANEBY, SWEDEN  
+46(0)380-47300  
www.hags.com

Vagabond  
408 003  
1(1)

ACJ TJ 2009-05-06 2